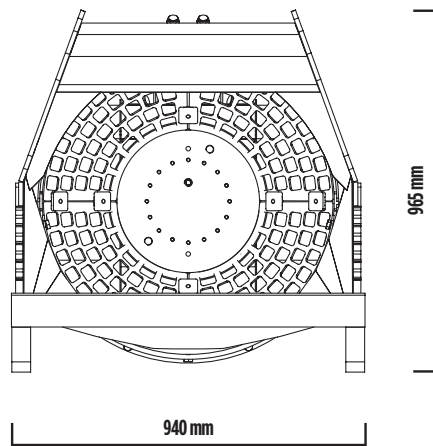
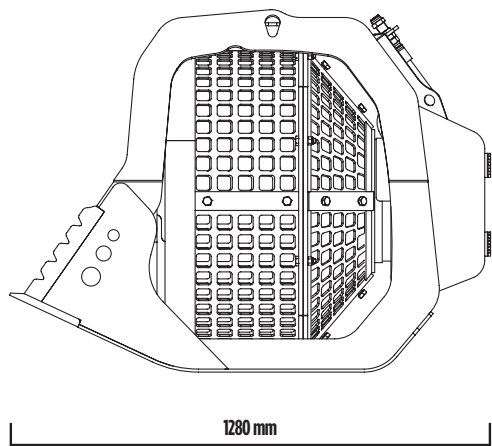


MB-S10 S4





MB-S10 S2

The MB-S10 screening bucket is the ideal choice for small-scale sites in which the reduction of costs is remarkably advantageous as aided by rapid movement in limited spaces. Crucial in space limited applications.



PRIMARY SELECTION:

- WASTE MATERIAL
- DEMOLITION MATERIAL
- EXCAVATION FILLING MATERIAL
- STONY GROUND RECLAIM
- PEBBLES IN STREAMS
- DEBRIS IN BEACHES
- NATURAL STONES CLEANING


ACCESSORIES

- RECOMMENDED SPARE PARTS KIT
- FIXED COUPLER
- QUICK FEMALE COUPLER
- HOUR METER
- 24 MONTHS WARRANTY

AREAS OF APPLICATION

- RECYCLING
- SMALL ROAD AND WATER MAINS REPAIRS
- SEWAGE SYSTEMS
- MAINTENANCE OF AGRICULTURAL SPACES

SPECIFICATIONS

EQUIPMENT	LOAD CAPACITY	BASKET DEPTH	GRID DIAMETER	DIMENSIONS
 ≥ 4 < 9 Ton	0,41 m ³	560 mm	880 mm	1220 x 950 H 1010 mm
OIL FLOW	PRESSURE	COUNTER PRESSURE DRAIN	WEIGHT	SPEED/MIN.
20-40 l/min.	130 bar	-	0,41 Ton	25/30 min/max