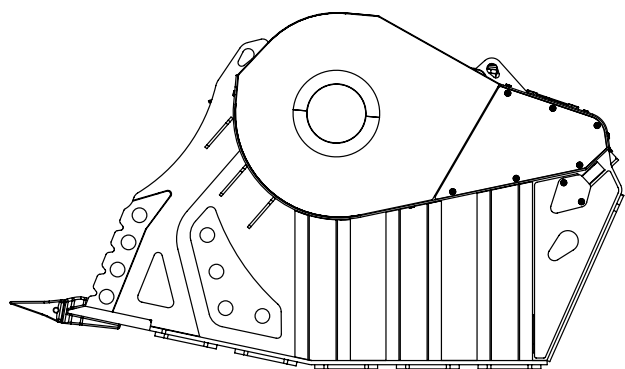
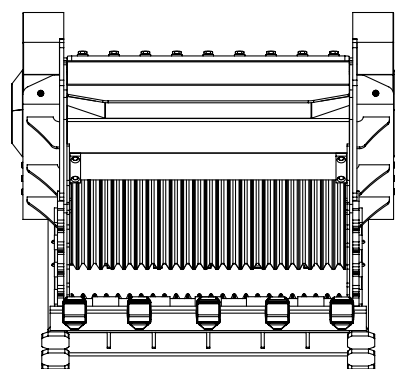


BF 135.8



2930 mm



1880 mm

1700 mm



BF 135.8

The BF135.8 crusher bucket is a resistant and highly productive unit, adapted to the requirements of crushing in quarries, mines, landfills and for all recycling operations on large-scale sites.


ACCESSORIES

- RECOMMENDED SPARE PARTS KIT
- FIX COUPLER
- HOUR METER
- 24 MONTHS WARRANTY

AREAS OF APPLICATION

- RECYCLING
- LARGE-SCALE URBAN SITES
- QUARRIES
- MINES
- PIPING
- DEMOLITION

SPECIFICATIONS

EQUIPMENT	LOAD CAPACITY	OPENING DIMENSIONS	OUTPUT SETTING	DIMENSIONS
 ≥ 43 Ton	1,60 m ³	L 1300 H 600 mm	≥ 40 ≤ 150 mm	2930 x 1880 H 1700 mm
OIL FLOW	PRESSURE	COUNTER PRESSURE	WEIGHT	MAXIMUM PRODUCTION
320 l/min.	250 bar	10 bar	7,50 Ton	88 m ³ /h